

TWN4 SmartCard housing HIP2

Plastic housing for TWN4 MultiTech SmartCard reader modules



TWN4 SmartCard housing HIP2
(exemplary illustrations)

The ELATEC product portfolio also contains a wide range of accessories, like wall holders, additional cables or RFID antennas, that are perfectly suited for use with the different ELATEC devices. As part of the accessory portfolio, ELATEC offers the TWN4 SmartCard housing HIP2 as a plastic housing specifically designed for use with the TWN4 MultiTech SmartCard reader modules.

The TWN4 SmartCard housing HIP2 is intended to be used with reader modules integrated in the Hardware Integration Pockets (HIP) of Hewlett Packard printers. Upon request, the black housing can be delivered with a customized inlay.

Special features:

- + Compatible with all ELATEC RFID reader modules of the TWN4 MultiTech SmartCard family
- + Customized inlay available on request



Elevator



EV Chargers



Access



Shop POS



Fitness
Equipment



Ticket POS



PC Log-on



Document
Management



Driver ID



Vending



Parking



Gaming



Locker Locks



Time
Attendance



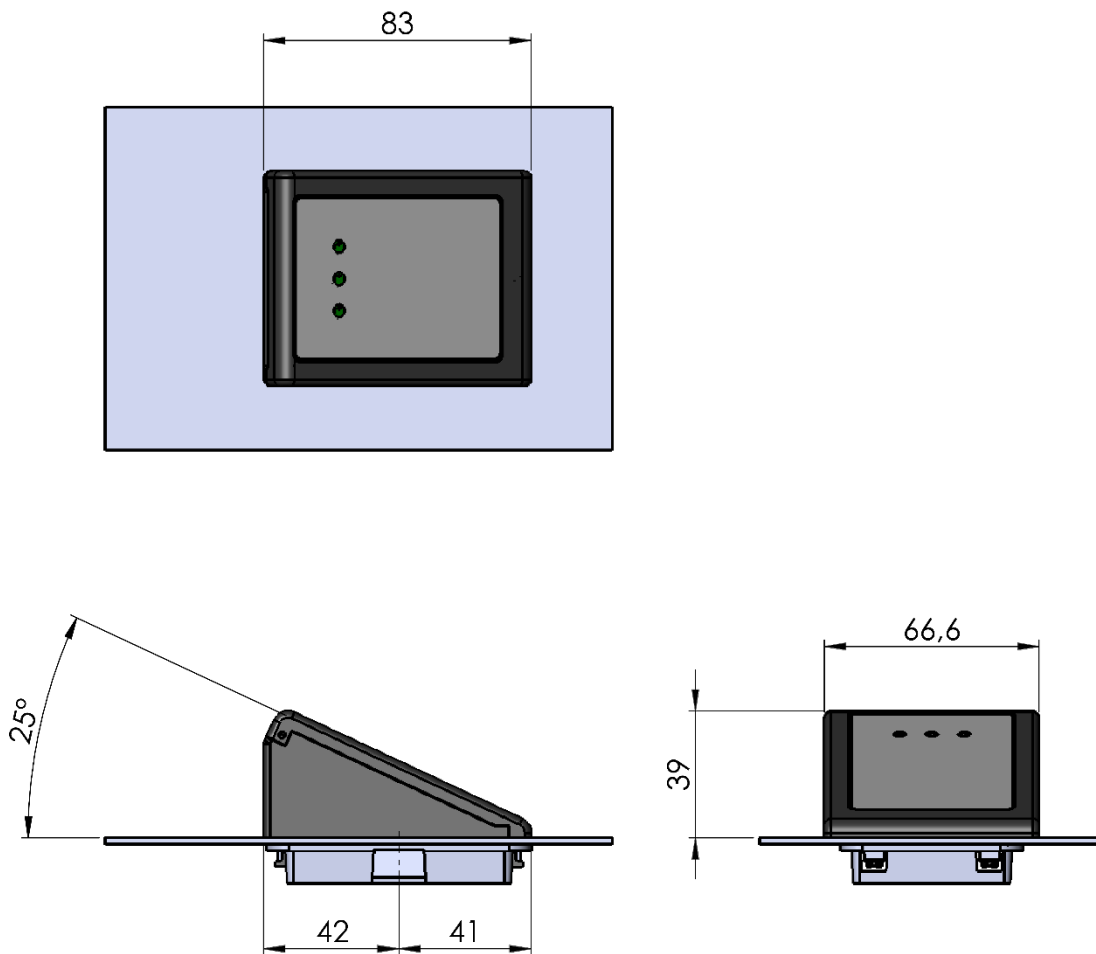
Industrial
PC

TECHNICAL DATA

HOUSING	Material: ABS UL94-V0 Color: black	
DIMENSIONS (L X W X H)	Approx. 83.00 x 66.60 x 39.00 mm / 3.27 x 2.62 x 1.54 inch	
TEMPERATURE RANGE	-25 °C up to +70 °C (-13 °F up to +158 °F) ¹⁾	
WEIGHT	Approx. 29 g / 1.02 oz (with inlay, without reader module)	
ORDER CODES	HOSW-B	TWN4 SmartCard housing HIP2, without inlay
	HOSW-BE2	TWN4 SmartCard housing HIP2, with inlay

¹⁾Applies to housing only (not to the reader module included in the housing)

TECHNICAL DRAWINGS



All measures in mm

ELATEC GmbH

Zeppelinstr. 1
82178 Puchheim
Germany
P +49 89 552 9961 0
F +49 89 552 9961 129
E-Mail: info-rfid@elatec.com
Website: elatec.com

ELATEC Systems GmbH

Schwieberdinger Str. 44
71636 Ludwigsburg
Germany
P +49 7141 309736 0
E-Mail: info-rfid@elatec.com
Website: elatec.com

ELATEC Inc.

1995 SW Martin Hwy
Palm City • FL 34990
USA
P +1 772 210 2263
F +1 772 382 3749
E-Mail: americas-info@elatec.com
Website: elatec.com

ELATEC Technology (Shenzhen) LLC

918, Main Building, Tian An Cyber Times
Tower, No. 6, Tairan Fourth Road, Tian 'an
Community, Shatou Neighborhood
Futian District • Shenzhen • China
P/F +86 755 2394 6014
E-Mail: apac-info@elatec.com
Website: elatec.com

ELATEC reserves the right to change any information or data in this document without prior notice. ELATEC declines all responsibility for the use of this product with any other specification but the one mentioned above. Any additional requirement for a specific customer application has to be validated by the customer himself at his own responsibility. Where application information is given, it is only advisory and does not form part of the specification. Disclaimer: All names used in this document are registered trademarks of their respective owners.